

SADT - 104WM

Wall Mount Adaptor

imagine the possibilities

Thank you for purchasing this Samsung product.
To receive more complete service, please
register your product at

www.samsung.com/global/register



Overview

The WALL MOUNT ADAPTOR is used to install the SMARTDOME CAMERA (SCC-C6433/C6435) in an indoor wall.

Notice

- Make sure that you must select an installation spot to endure the total weight of "Wall Mount Adapter", "Smart Dome Camera".
- This product is designed to use with anchor bolts and anchor nuts (M10).
- If installing in a concrete wall, use a M10 anchor bolt (nut) with flat washer and spring washer.
- Each installed anchor bolt should endure 700kg of pulling force.
- Wall Mount Adapter can be installed directly in the wall, and also attached to CORNER MOUNT ADAPTOR(SADT-110CM), or POLE MOUNT ADAPTOR(SADT-100PM)

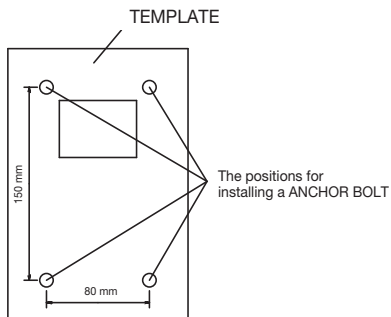
Installation

1. Select an installation spot which can endure more than 4 times of the product weight.

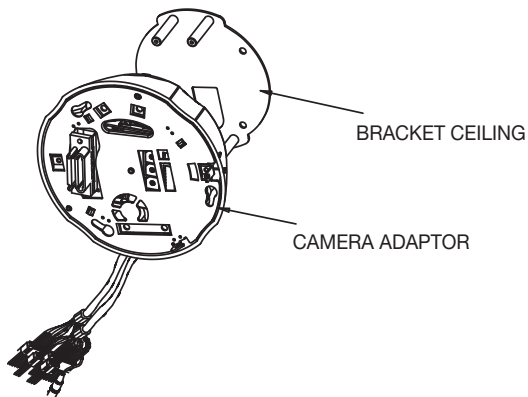
2. Refer to the user guide of the SMARTDOME CAMERA, prepare the outdoor power cable, BNC cable, communication cable to connect the Camera.

3. If you install the Wall Mount Adaptor in a wall, place the template on the wall and drill 4 holes for the anchor bolts (M10) and nuts (M10) before inserting them.

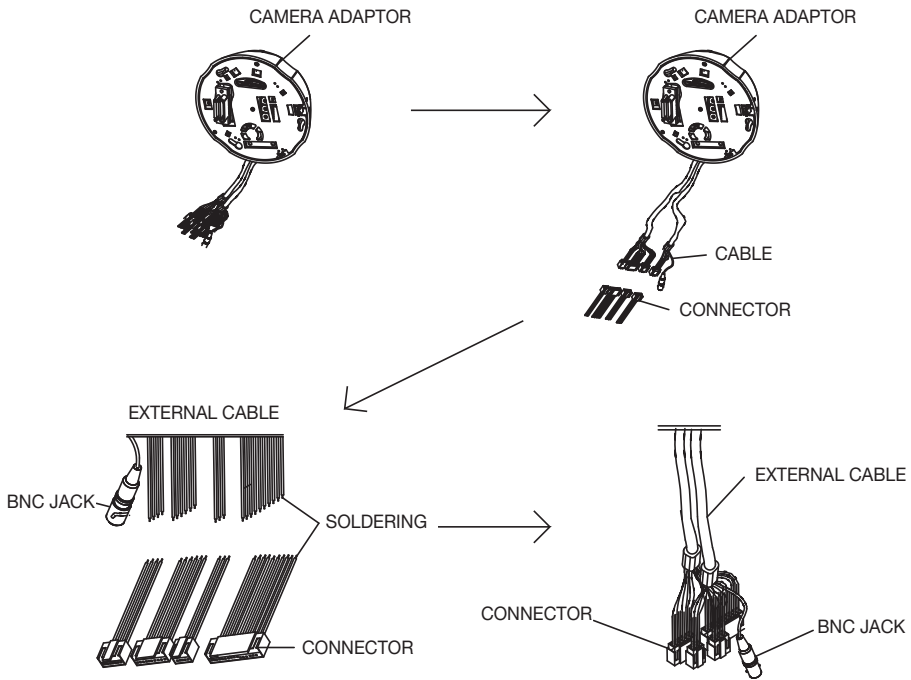
 If you install it in a corner of the wall, use the Corner Mount Adaptor (SADT-110CM). If installing on the pole of the wall, use the Pole Mount Adaptor (SADT-100PM).



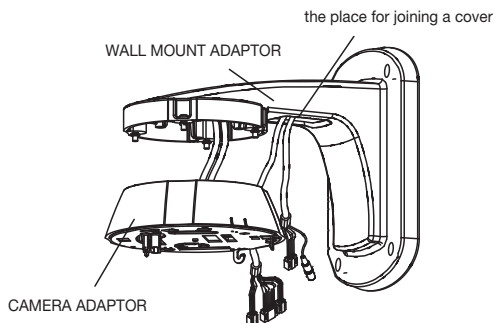
4. Prepare the Camera Adaptor for the applicable camera.
Remove the Bracket Sealing from the Camera Adaptor.




5. Remove the Connectors at the end of the Camera Adaptor.
In the next step, peel off the coating of the cable and connect it to the external cable using soldering. (See the wiring diagram of the installation guide for the Camera to connect the cables.)
Lastly, use an insulation tape to wrap up the soldering portion of two cables.
Repeat the above steps to connect all of the 4 Connectors to the appropriate external cables.

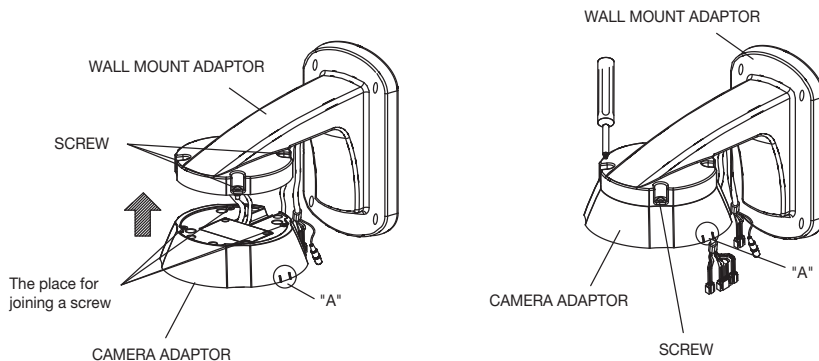


6. Prepare the Camera Adaptor for the applicable camera. Refer to the installation guide for the applicable camera and configure the initial settings of the Camera Adaptor.
(For more information, see the installation guide for the Camera)
Insert the cable of the Camera Adaptor into the Wall Mount Adaptor before pulling it out through the hole of the Cover Fixing Part.



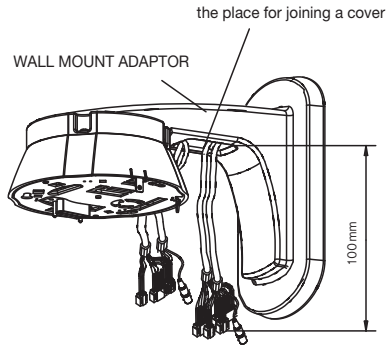
7. Insert the 4 screws on the Wall Mount Adaptor into the corresponding screw holes on the Camera Adaptor and fix them so that the Camera Adaptor is secured to the Wall Mount Adaptor.

 Ensure that the part "A" of the Camera Adaptor faces the arrow direction in the figure during the fixation.

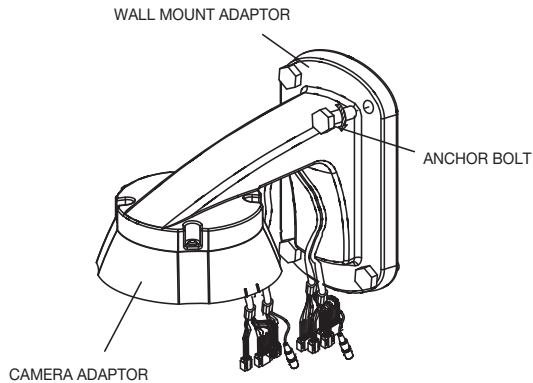


8. Pull out cables such as external power cable, BNC cable and communications cable through the rear of the Wall Mount Adaptor, which are necessary for connecting the camera.

 It is recommended to keep the cables about 100mm longer than the cover fixing part.



9. Use the anchor bolts and nuts to secure the Wall Mount Adaptor to the wall.

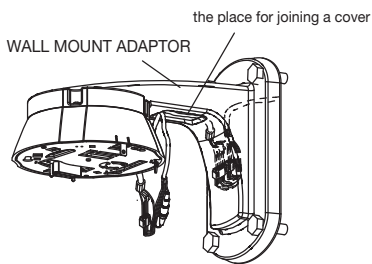


10. Connect the cables of the Camera Adaptor with the outward cables, which then you push in through the Cover Fixing Part to the Wall Mount Adaptor.

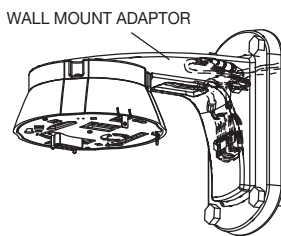
- ※ Insert one piece of the two-strand cable into an empty area of the Wall Mount Adaptor as in the figure below and push the other one into the Wall Mount Adaptor.



When you insert the cables into the Cover Fixing Part so that the insulation of the cable junction is not peeled off or torn.

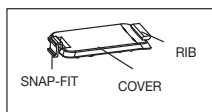
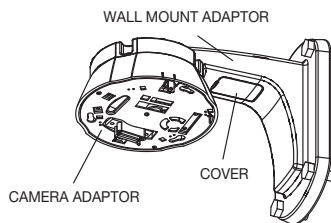
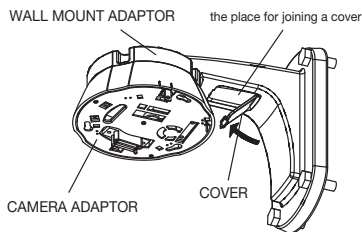


< Insert one piece of the two-stranded cable >



< Insert the other piece of the two-stranded cable >

11. As in the bottom-left figure, insert the rib of the cover into the Cover Fixing Part. Then, push the Snap-Fit of the cover into the Cover Fixing Part so that the cover is fastened with the Wall Mount Adaptor.

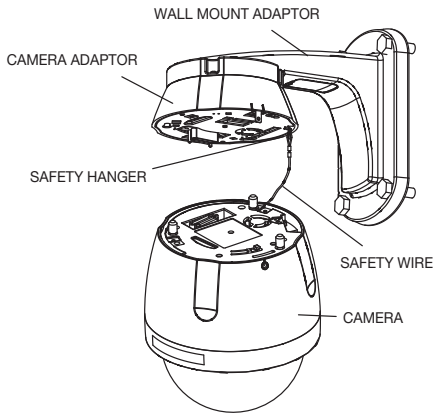
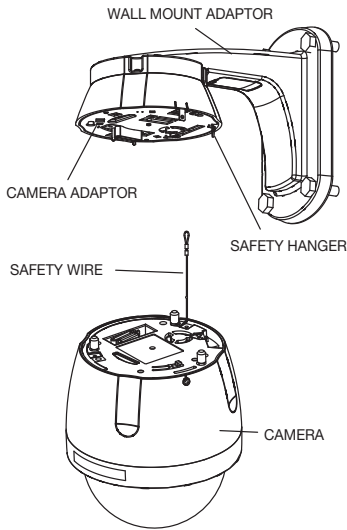


12. Prepare the Camera Body.

Put up the Safety Wire, attached to the camera, on the Safety Hook.

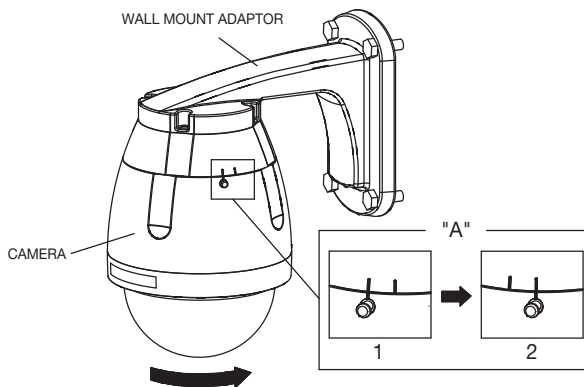
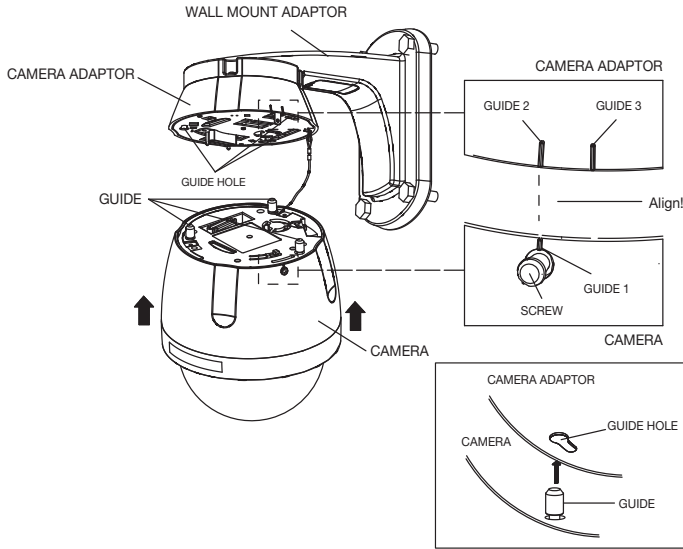


To avoid accidental fall and consequent damage to the camera during installation or detachment, make sure the Safety Wire is secured to the hook.



13. Align the Guide 1 of the Camera with the Guide 2 of the Camera Adaptor and insert the 3 Guides of the Camera into the corresponding Guide Holes of the Camera Adaptor. Then, turn the camera clockwise by 10 degrees.

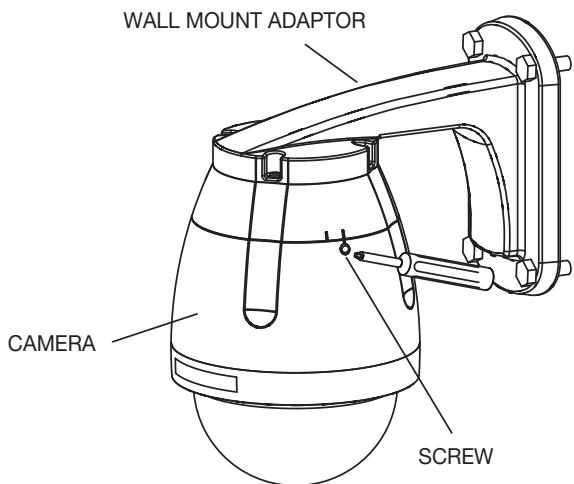
 Make sure that the part "A" is moved from position 1 to 2.



- 14. Use the screws, attached to the Camera, to firmly fix the Camera body with the Camera Adaptor.
(Once you removed the camera from the Camera Adaptor, loosen the screw, turn the camera counterclockwise by about 10 degrees, and then pull it down.)



If you do not fix the screws, CAMERA BODY could be separated from the CAMERA ADAPTER due to the shake.
To avoid safety accident and camera damage, make sure to fix the screws.



Product Specification

Location for use: Indoors

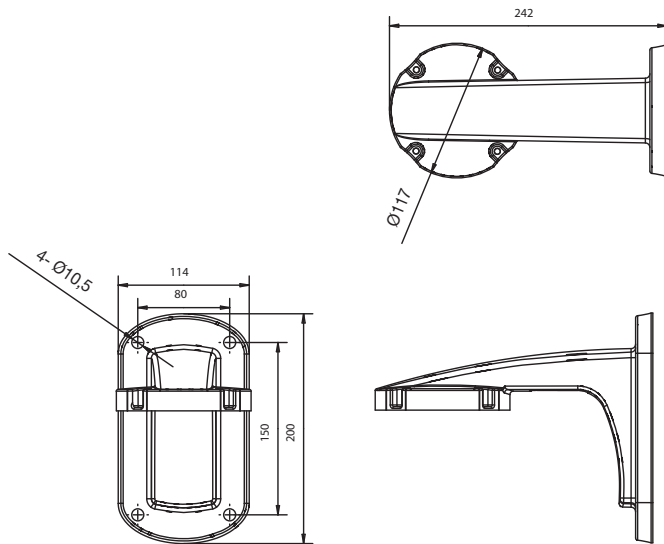
Installation Spot: Wall or Vertical Structure

Dimension: See the figure

Weight: 241g

Material: plastic

Operation Temperature: -10°C ~ 50°C



Accessories

- Template 1
- Cover 1
- MANUAL 1

10_SADT-104WM



Correct Disposal of This Product (Waste Electrical & Electronic Equipment)

(Applicable in the European Union and other European countries with separate collection systems)

This marking shown on the product or its literature, indicates that it should not be disposed with other household wastes at the end of its working life. To prevent possible harm to the environment or human health from uncontrolled waste disposal, please separate this from other types of wastes and recycle it responsibly to promote the sustainable reuse of material resources.

Household users should contact either the retailer where they purchased this product, or their local government office, for details of where and how they can take this item for environmentally safe recycling.

Business users should contact their supplier and check the terms and conditions of the purchase contract. This product should not be mixed with other commercial wastes for disposal.